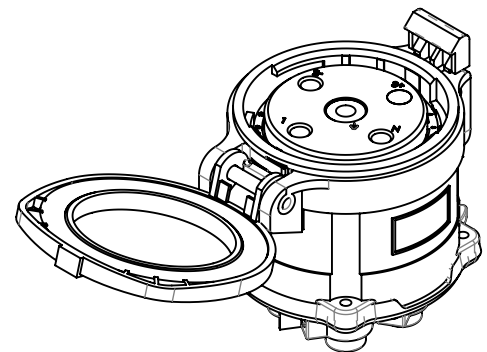
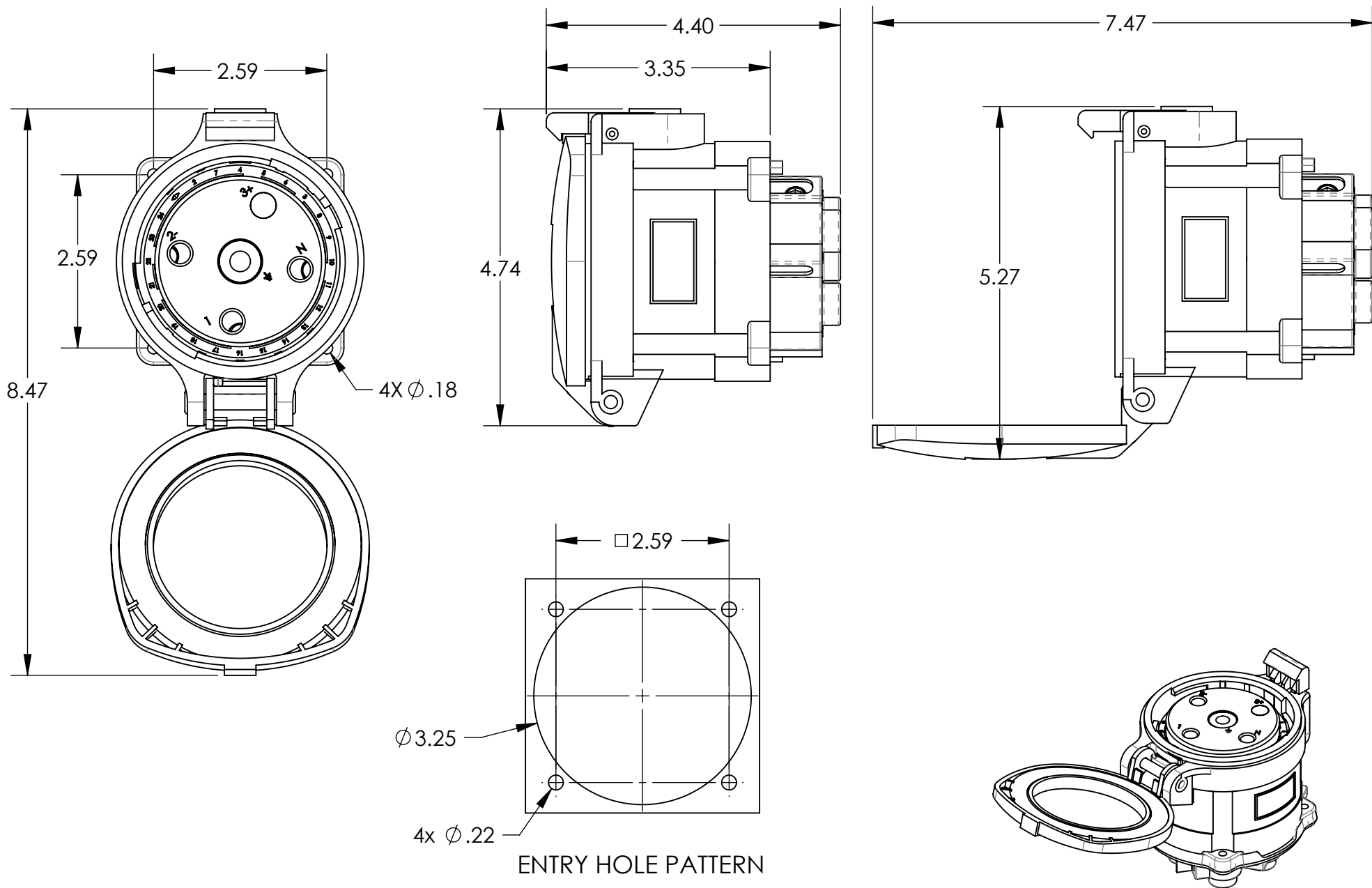


This drawing is the property of MELTRIC Corporation, Franklin (Milwaukee), Wisconsin, USA. Any unauthorized copying of this drawing by any means, or disclosure of its contents to any person not authorized by MELTRIC Corporation or its agents to receive it, is strictly prohibited.



REV.	DATE	CHANGED BY	REMARKS	ECN #
Ø	3/3/11	ET	UNRELEASED	EN11-003

TOLERANCES	
<input checked="" type="checkbox"/>	ENGLISH
	0.X ±0.05
	0.XX ±0.01
	0.XXX ±0.005
	±1/2°
	METRIC
	X ±1
	0.X ±0.5
	0.XX ±0.1
	±1/2°

DRAWN ET	APPROVED	DRAWING TITLE: DSR 100A RECEPTACLE	
DATE: 4/26/2013	SCALE: 1:2	MATERIAL: BLUE POLY	
PROJECT NUMBER:	PART NUMBER: 32-64076-380-4X		SHEET: 1 OF 1